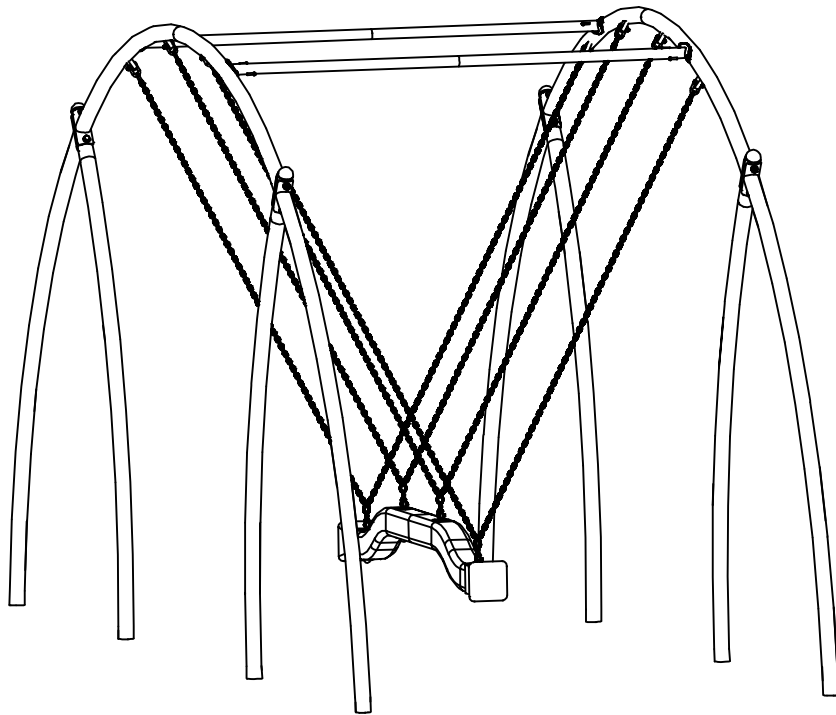
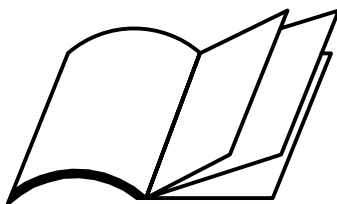


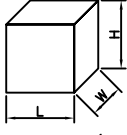
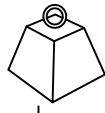


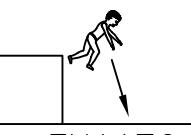
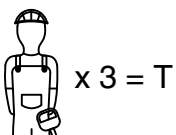
# HAGS

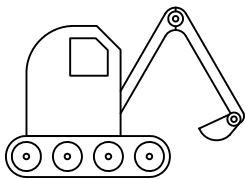
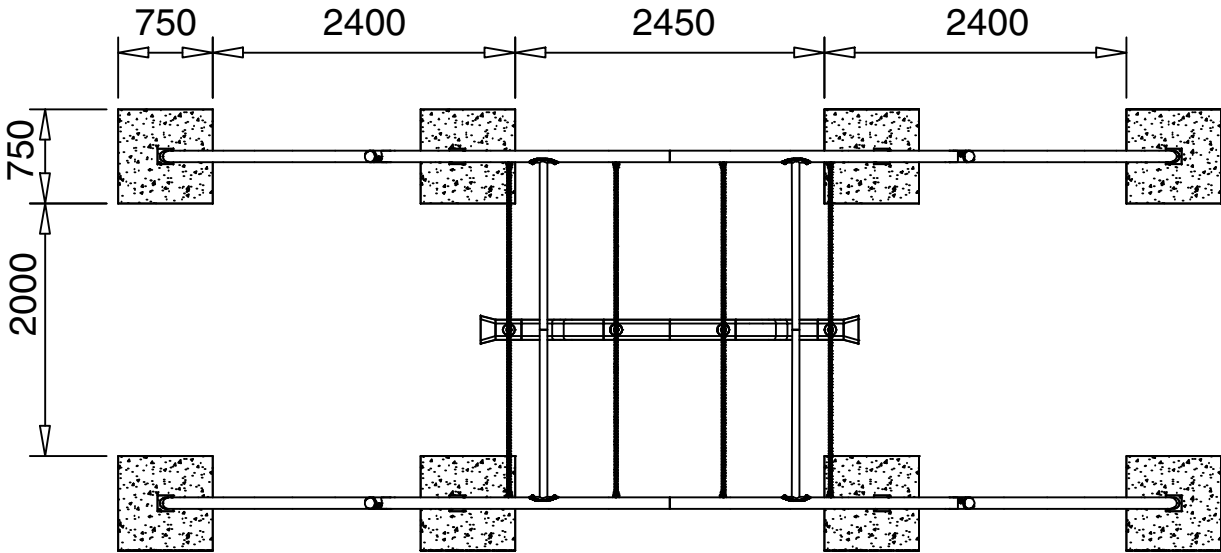
## NEXUS VIPER

DSVIP DSVIP(N) DSVIP(HS)

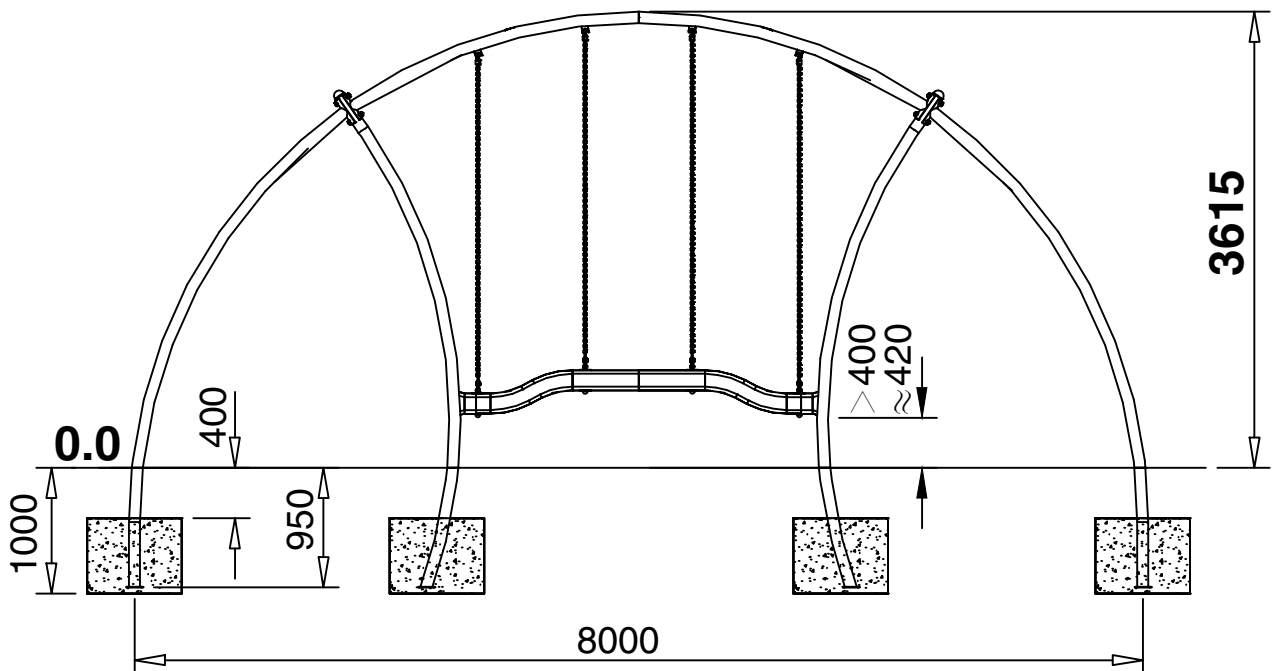
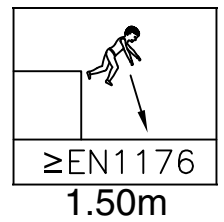


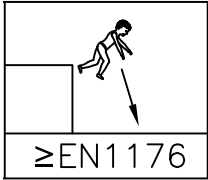


						
	LxWxH (m)	kg	m <sup>3</sup>	m	≥EN1176	x 3 = T
<b>DSVIP</b>	8.09 x 2.84 X 3.62	600	2.7	12.00 x 4.00	1.50m	T = 48h



 101/114

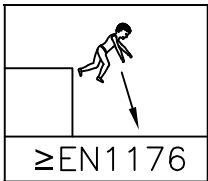
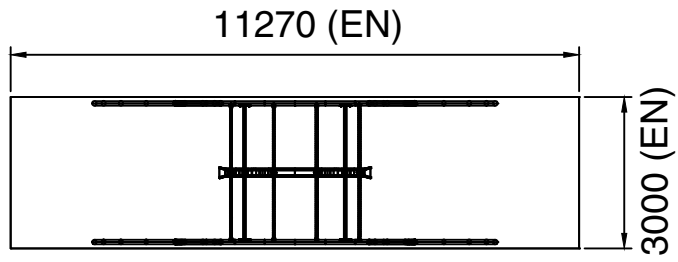




1.50m



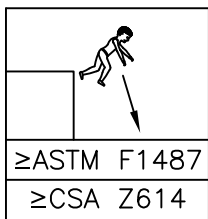
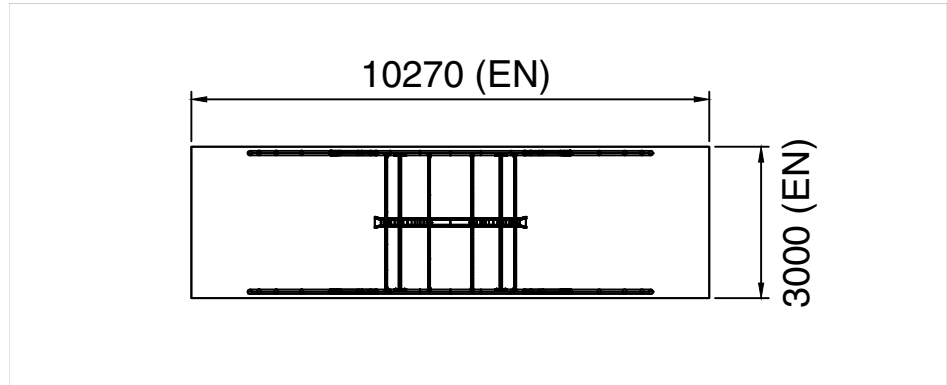
**TYPE 1/2**



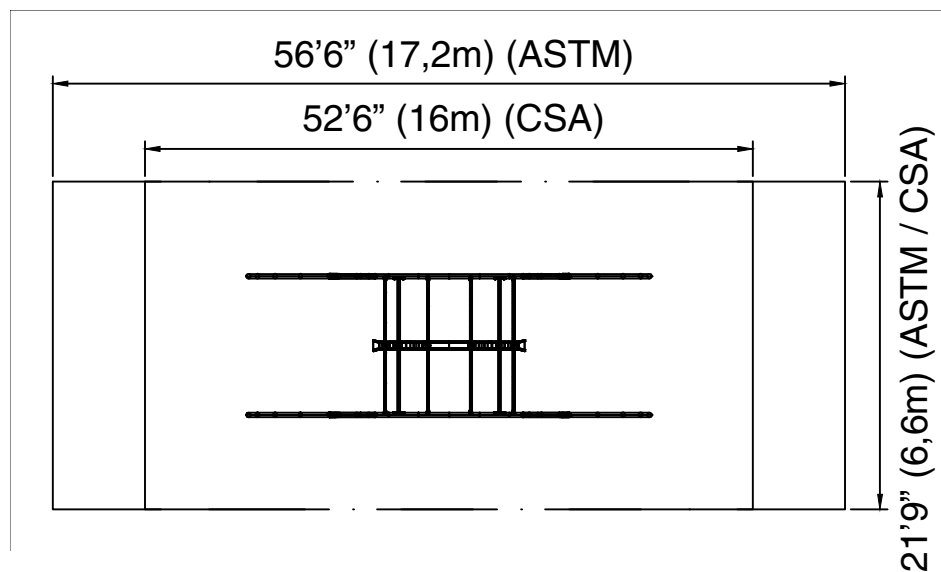
1.50m

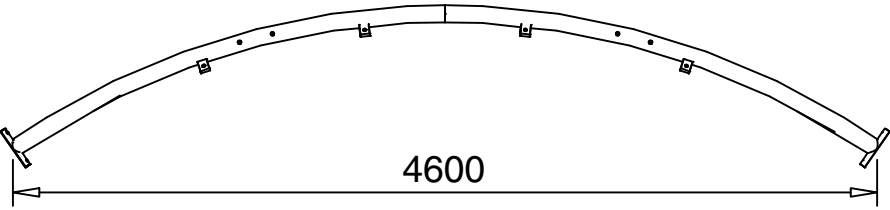
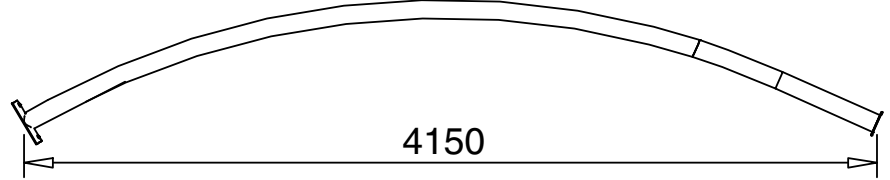
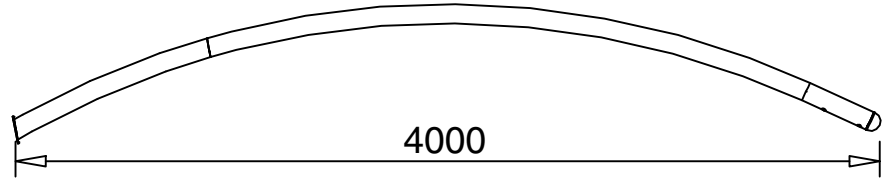
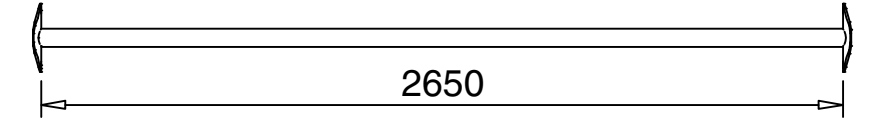
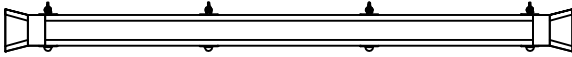
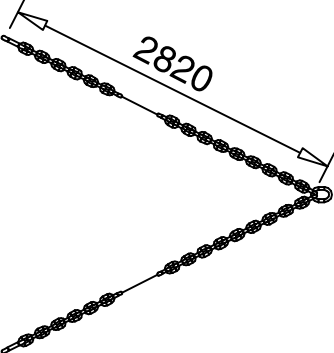
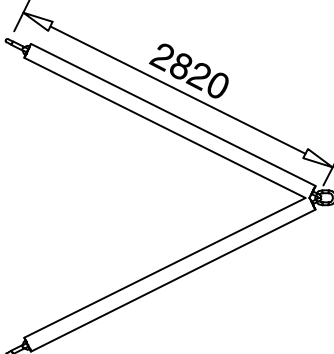


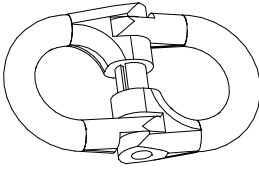
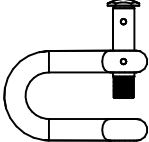


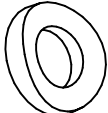
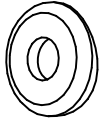
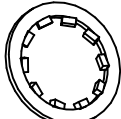
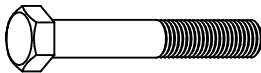
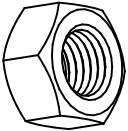
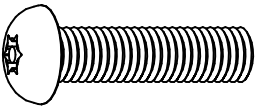
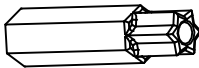
**TYPE 3**



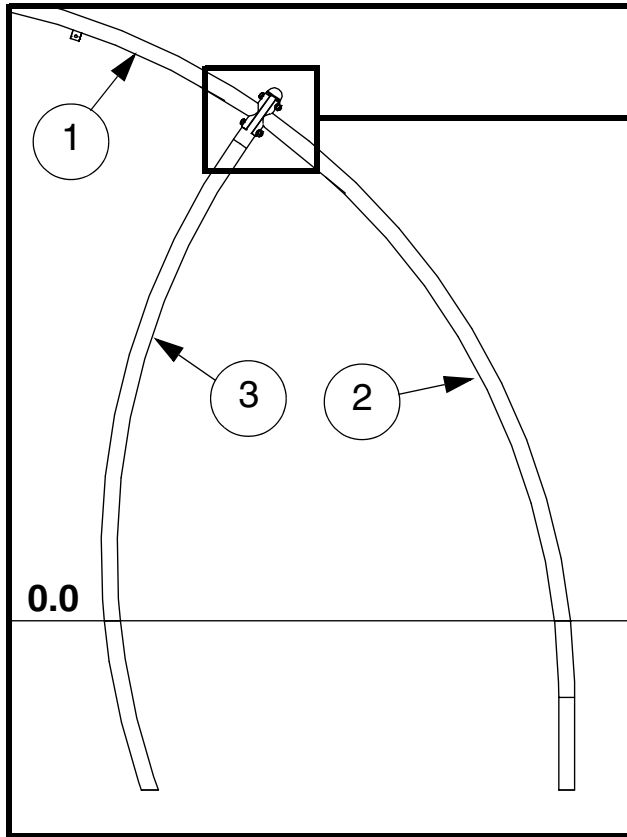
1.50m



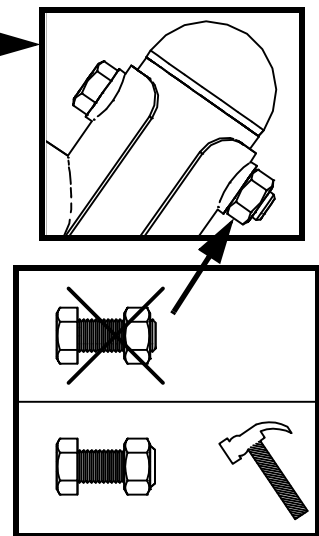
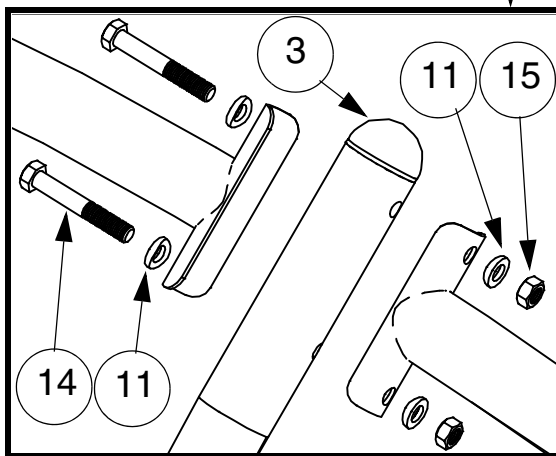
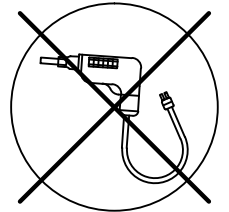
ITEM	REF.	DSVIP / DSVIP (N)	DSVIP (HS)	QTY.	(kg)
1	87090001A			2	53.00
2	87090005			4	48.00
3	87090007			4	48.00
4	87090009			2	18.30
5	87091001			1	33.00
6	87091005			4	8.00
	87091010			4	9.60

ITEM	REF.	DSVIP / DSVIP (N)	DSVIP (HS)	QTY.	(kg)
7	15715000			4	0.100
8	88096003			8	0.250
9	10310325			8	0.002
10	19023801			4	0.080
11	10302000	 M20 21X38X8		16	0.039
12	38001019	 M10 12X32X6.5		8	0.002
13	10301000	 M10 12X18X1		8	0.001
14	10252130	 M20 X 130		8	0.362
15	10272000	 M20		8	0.06
16	10121040	 M10 X 40		8	0.037
17	10121000	 T45 M10		1	-

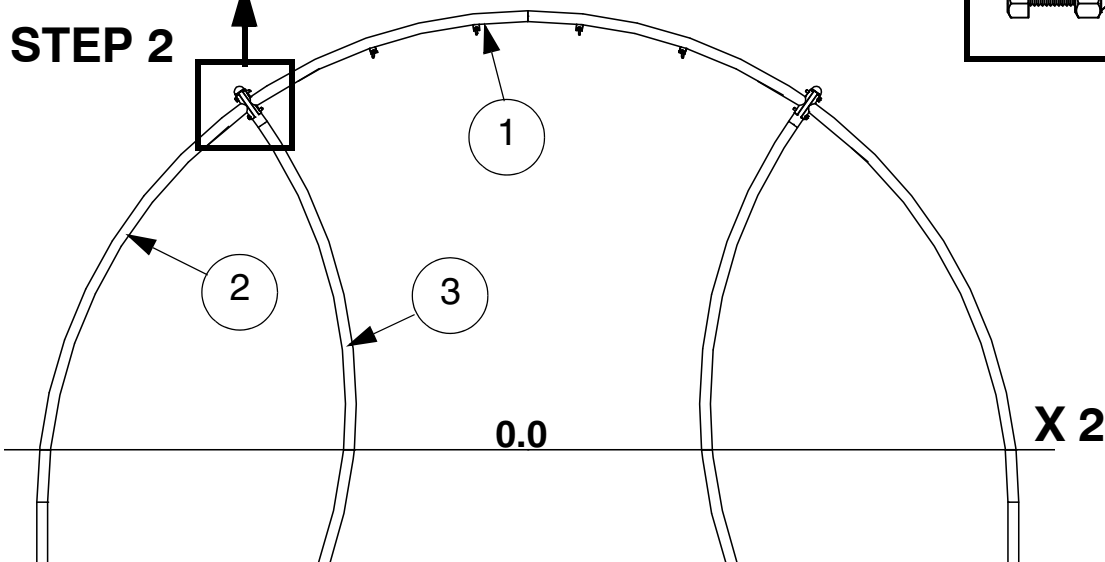
# STEP 1

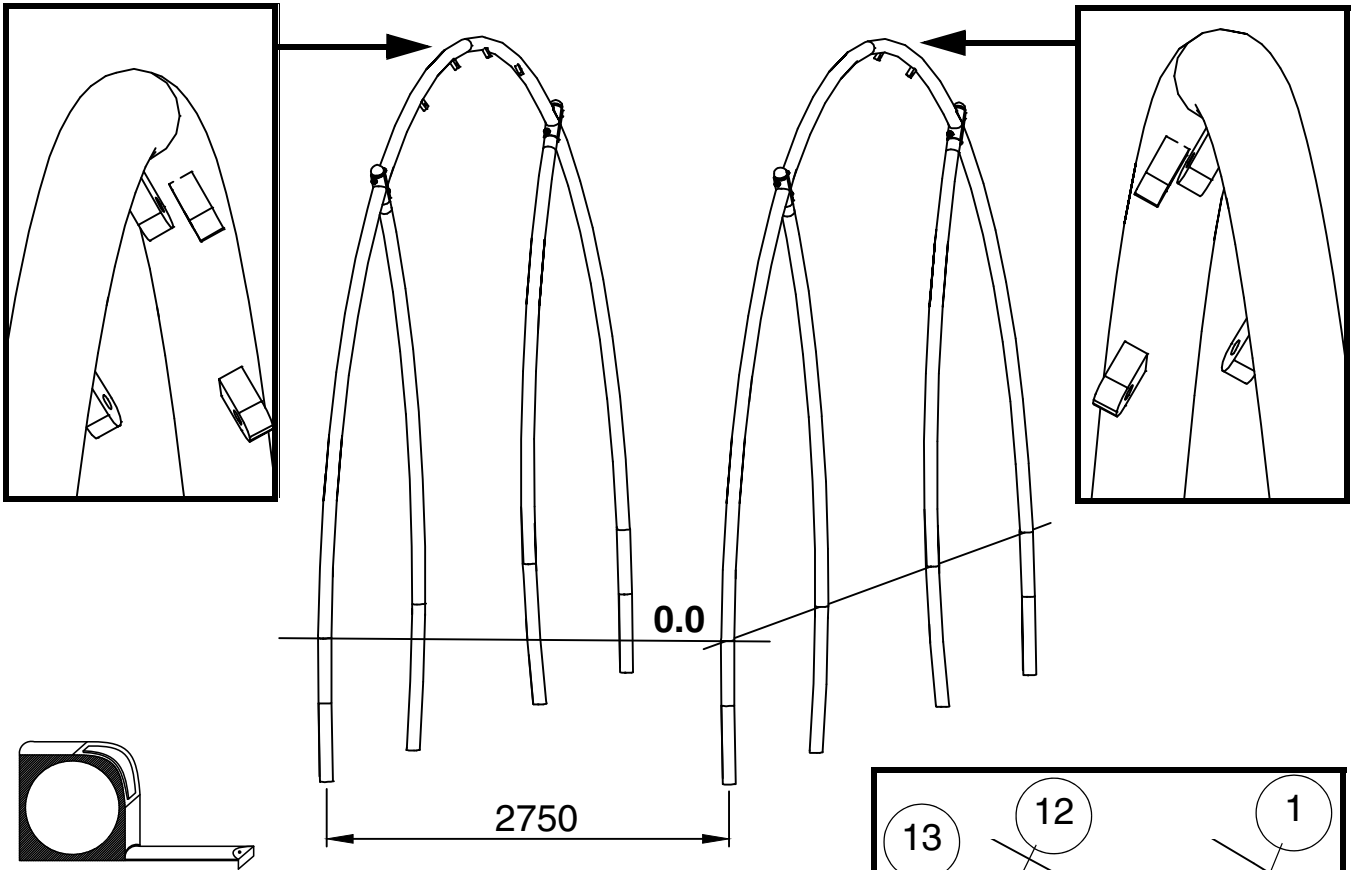


170Nm

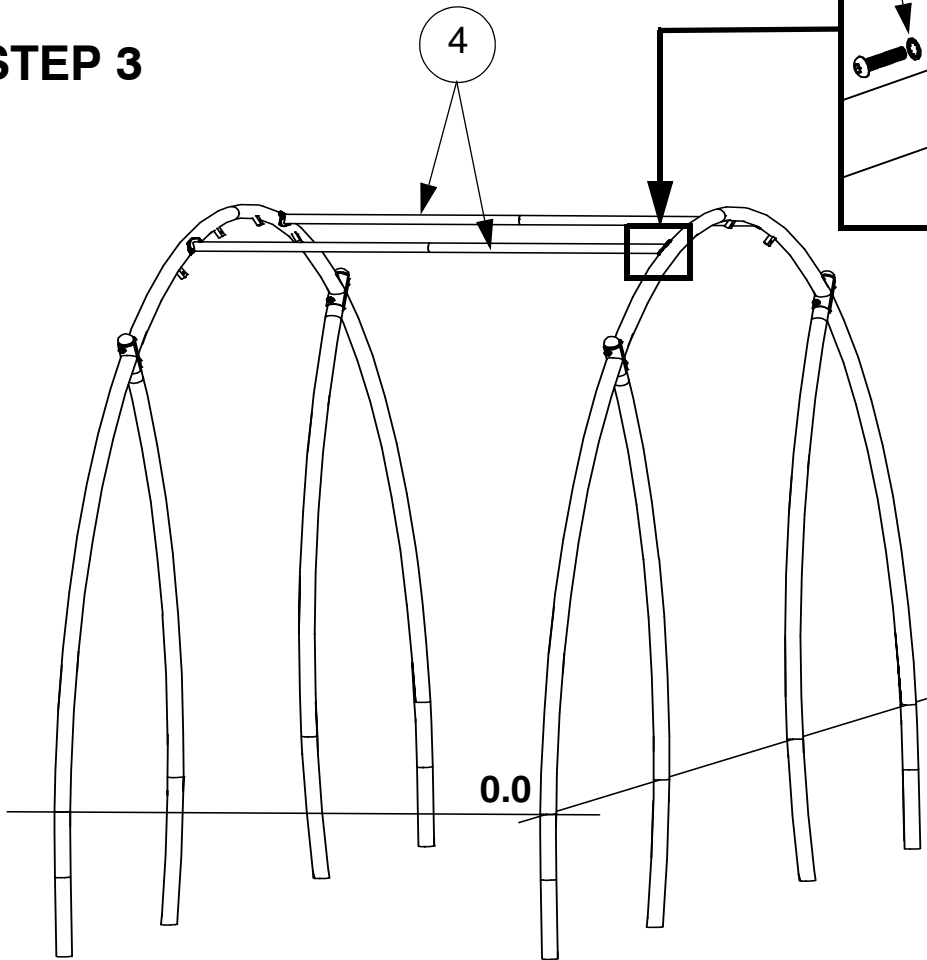


# STEP 2

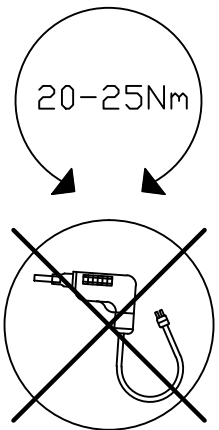




**STEP 3**

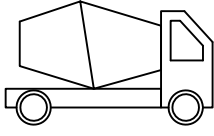




**X 4**



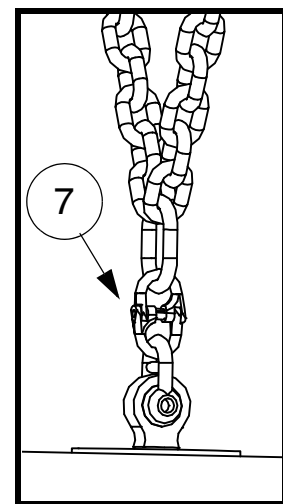
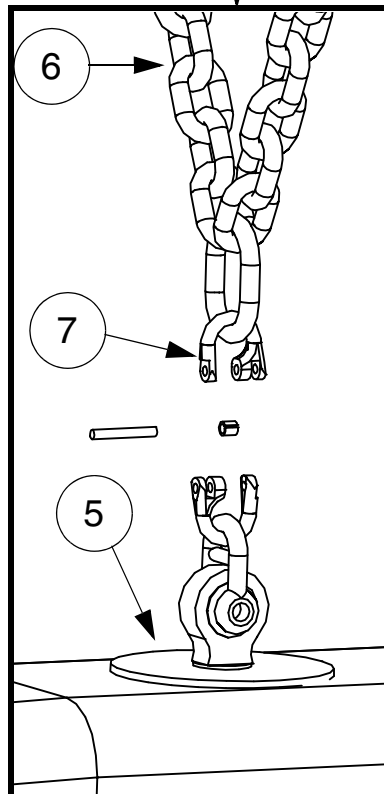
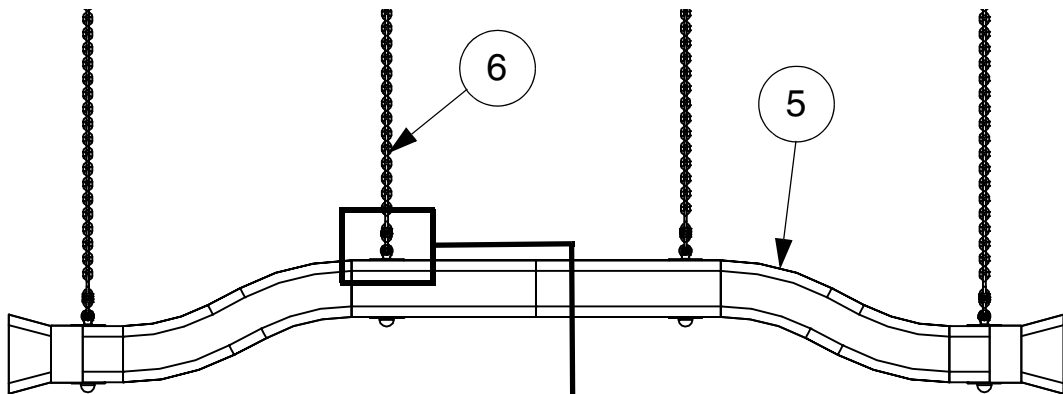


# STEP 4

	
S2 (50mm)	
≥C20-25	
	7 x 24h
	101

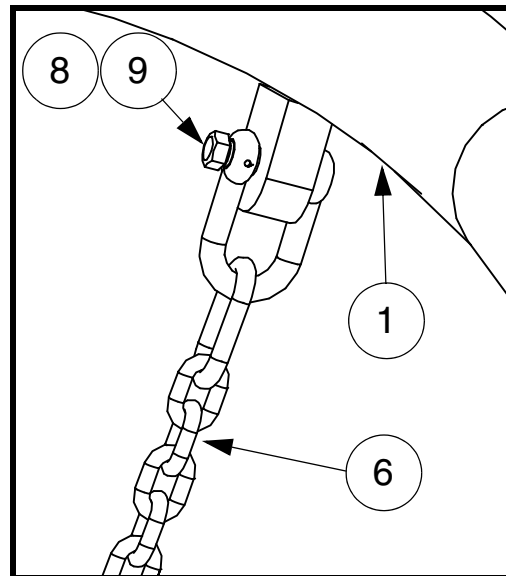
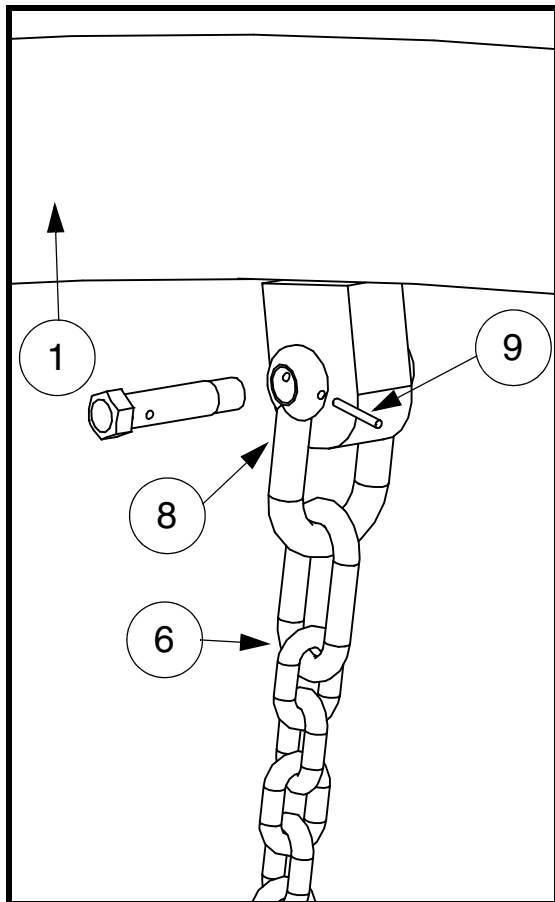
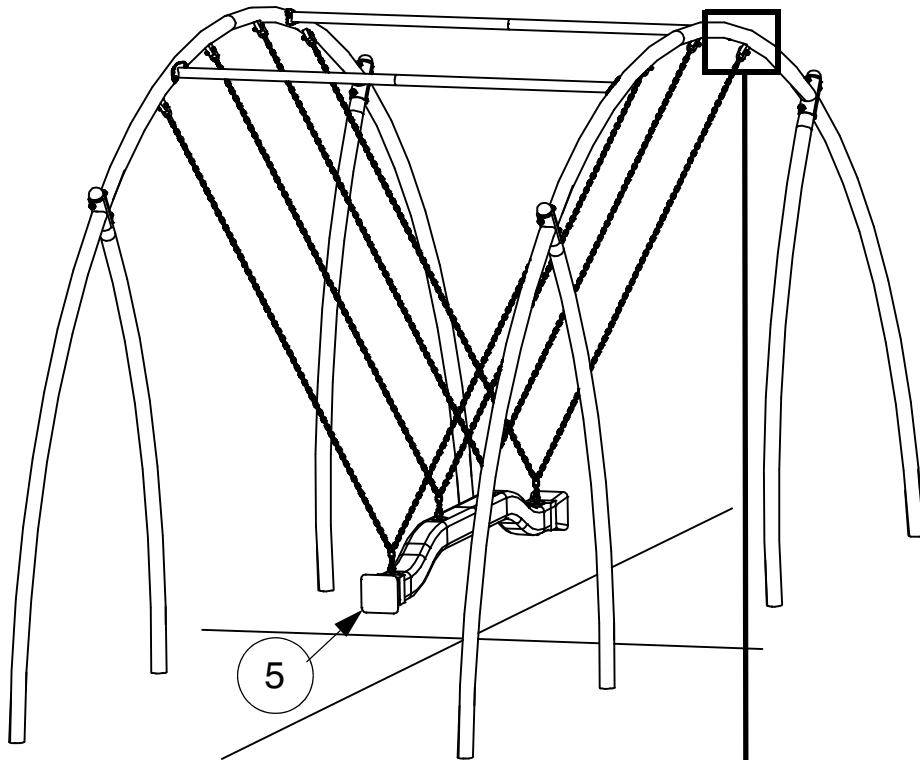


# STEP 5



**X 4**

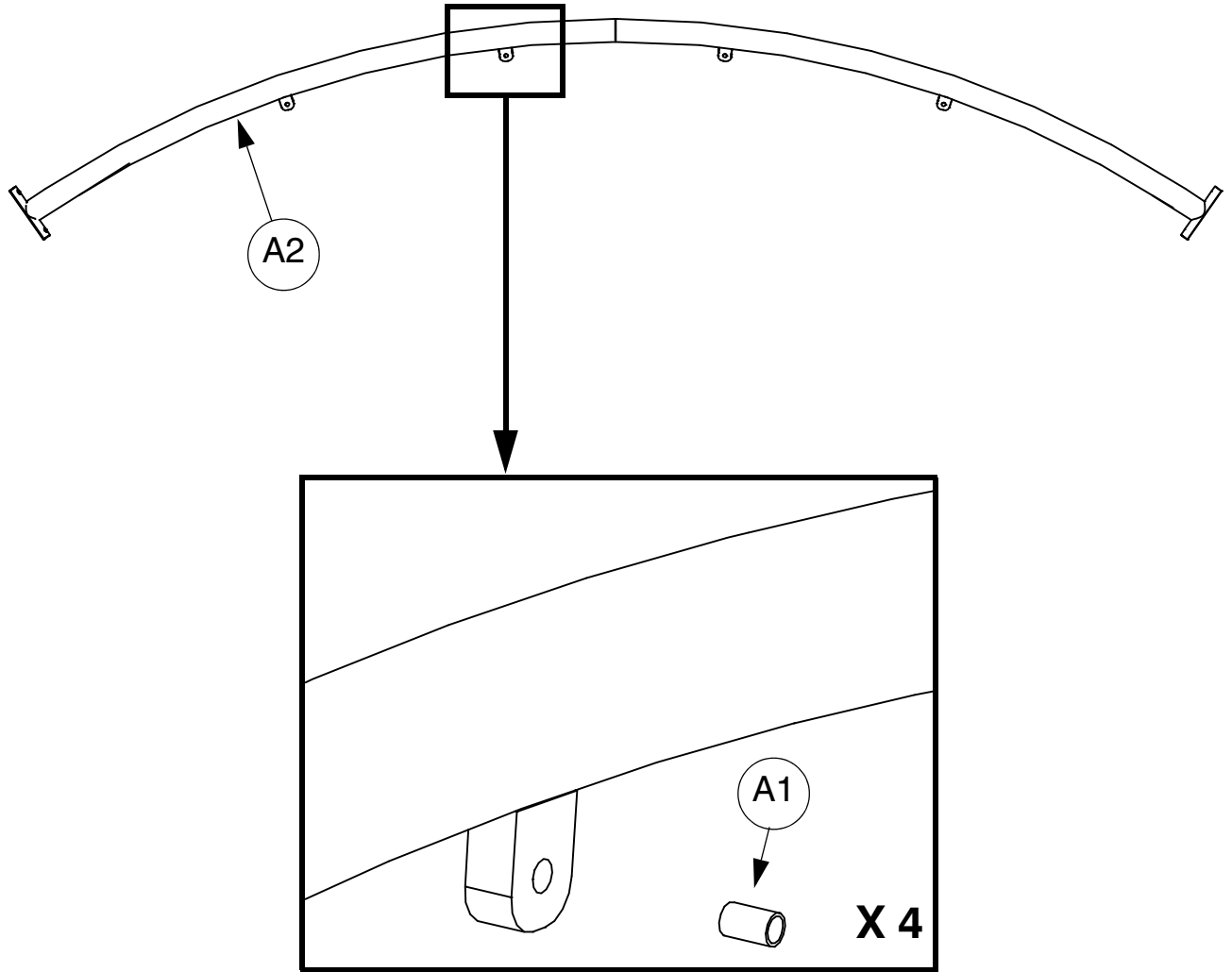
# STEP 6

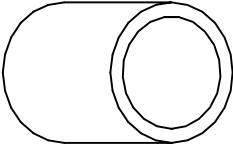
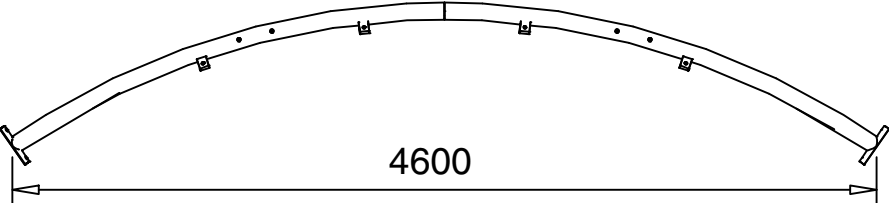


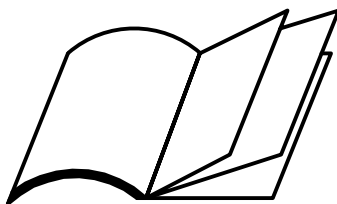
**X 8**

Appendix A:

87090001A

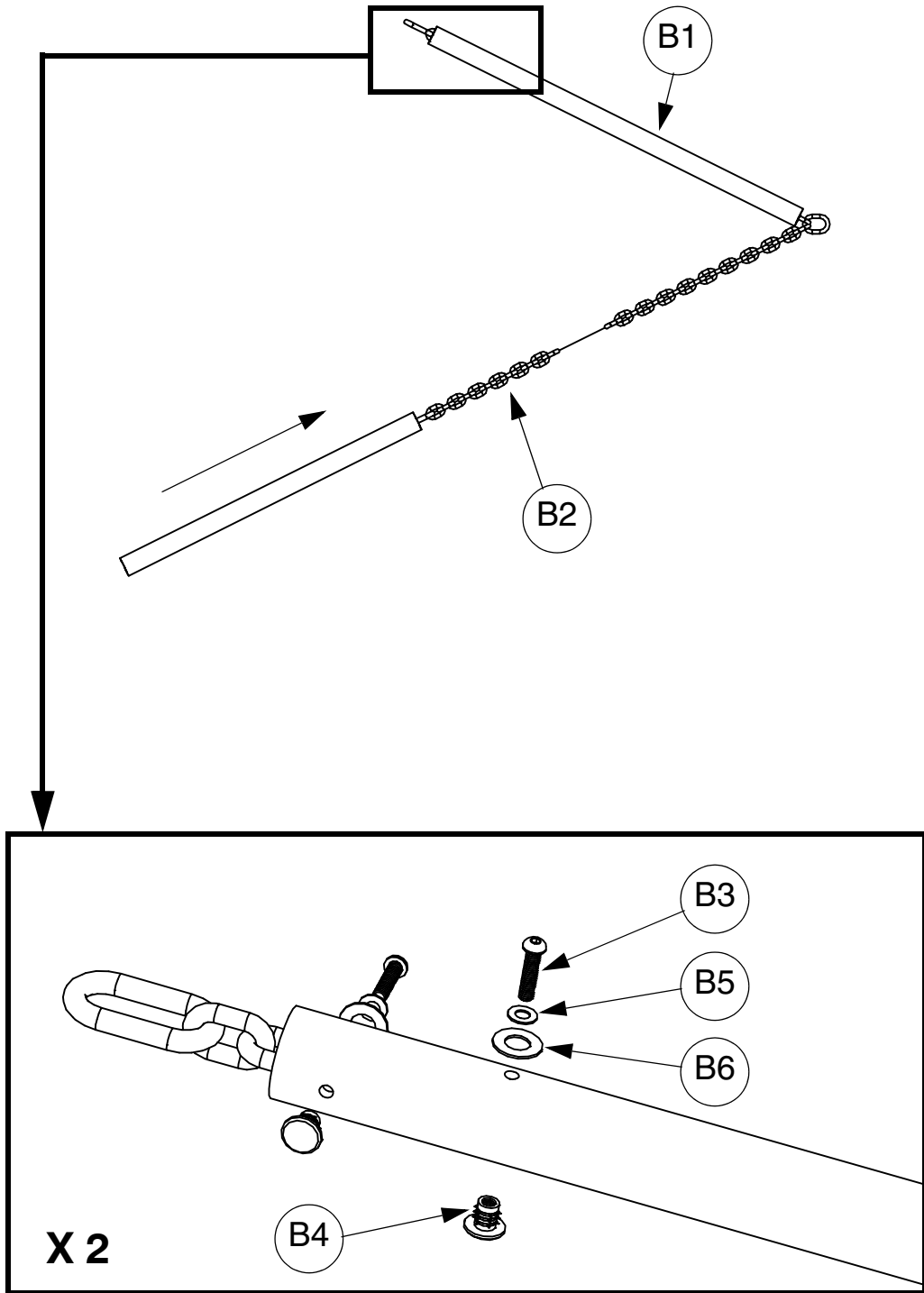


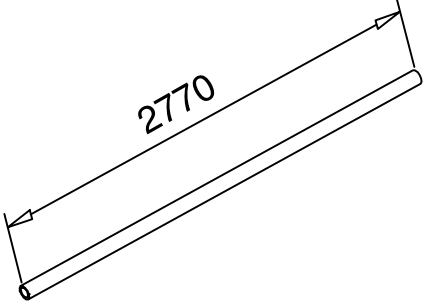
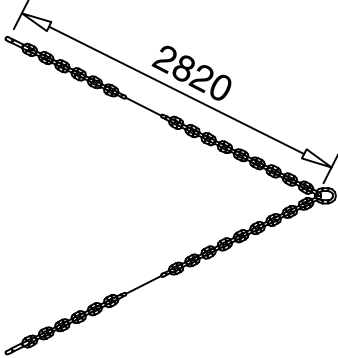
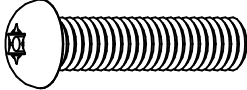
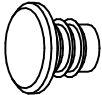
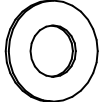
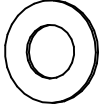
ITEM	REF		QTY.	WEIGHT (kg)
A1	15011612		4	0.002
A2	87090001		1	53.00



Appendix B:

87091010



ITEM	REF		QTY.	WEIGHT (kg)
B1	87091020		2	1.70
B2	87091005		1	8.00
B3	10120625	 <p data-bbox="660 1039 871 1084">M6 X 25</p>	4	0.011
B4	10930600	 <p data-bbox="730 1234 793 1279">M6</p>	4	0.006
B5	10290600	 <p data-bbox="639 1431 898 1476">M6 6.4X12.6X1</p>	4	0.001
B6	10291000	 <p data-bbox="639 1619 882 1664">M10 11X21X1</p>	4	0.002